

# Firefighting - SCBA



**Spiromatic 90U**



**QS / QS II**



**Incurve**

# Firefighting - SCBA




**Incurve-E**



**Spiroguide II**

# Firefighting - SCBA



**INTERSPIRO**

Type / Model:  
Interspiro OS II

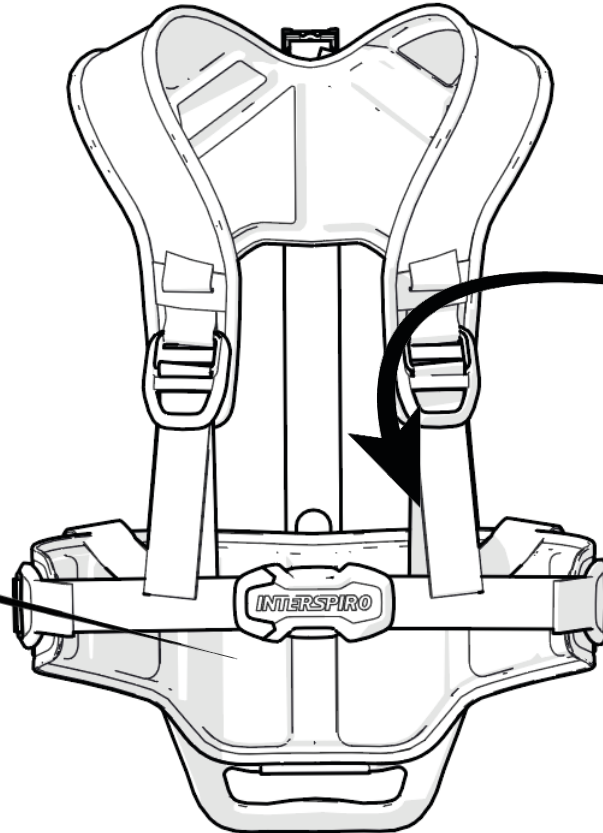
**31803-01**

Serial No:  
**A1737001**

EN 137:2006

CE0120

**Item number**



**Apparatus**



**A1737001**

Product | Year | Week | Running number

**Serial number**

# Firefighting – Face mask



**Inspire-H**  
**Ambient air hatch version**



**Inspire-A**  
**Automatic version**

# Firefighting – Face mask



**S-H**  
**Ambient air hatch version**



**S-FB**  
**First breath version**

# Firefighting – Face mask



**Respire ESA**

**Respire PE**

**Respire N**

# Firefighting – Face mask



Quick  
connection

**S-ESA**



M45x3 connection

**S-PE**



Rd40 connection

**S-N**

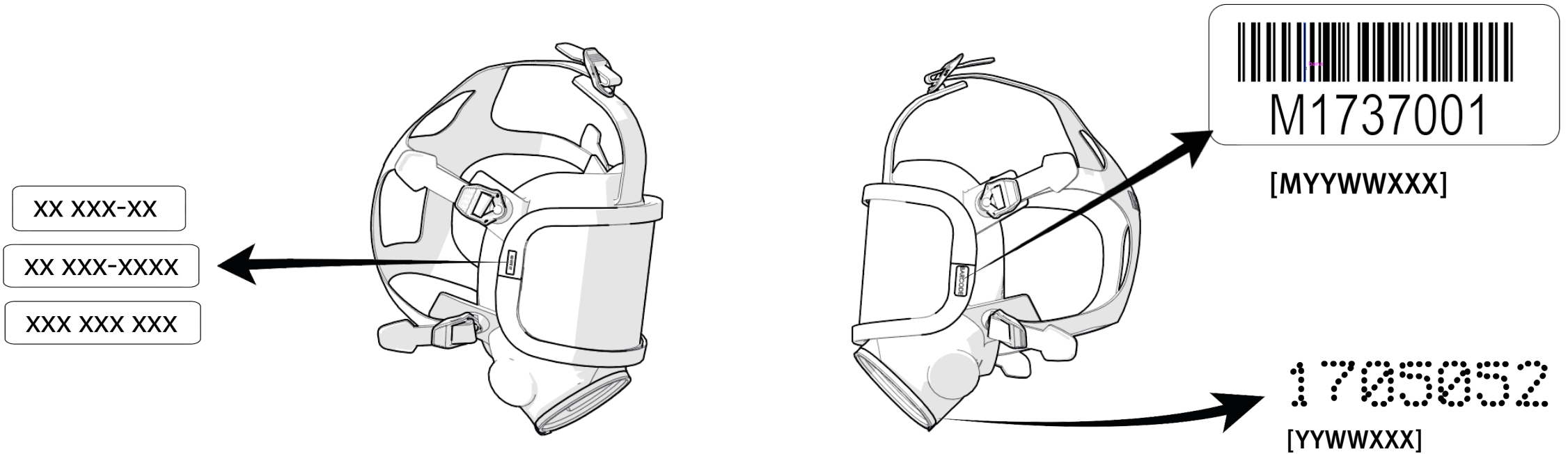
# Firefighting – Face mask



**Spiromatic**



# Firefighting – Face mask



**Item number**

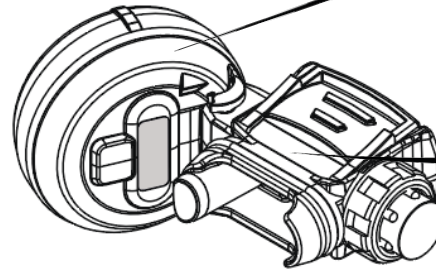
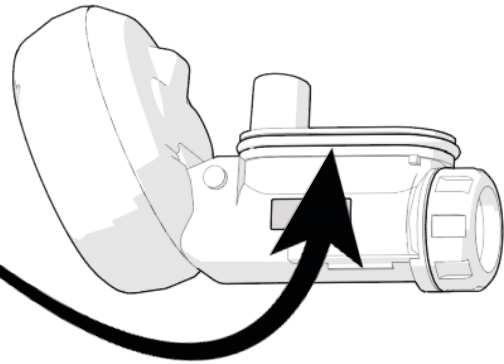
**Face mask**

**Serial number**

# Firefighting – Breathing valve

XX XXX-XX

XXX XXX XXX



B1737001

[BYYWWXXX]

1705052

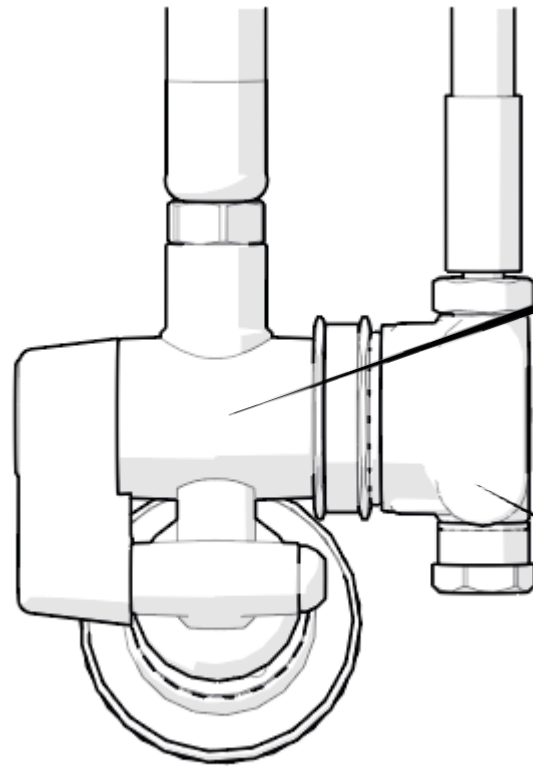
[YYWWXXX]

**Item number**

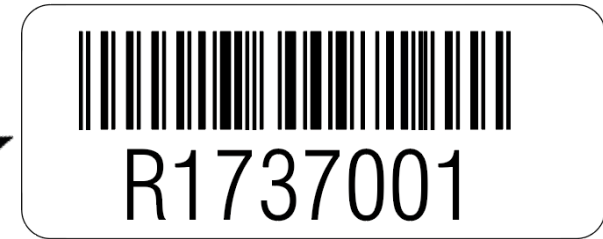
**Breathing valve**

**Serial number**

# Firefighting – Regulator unit



**Regulator unit**



[RYYWWXXX]

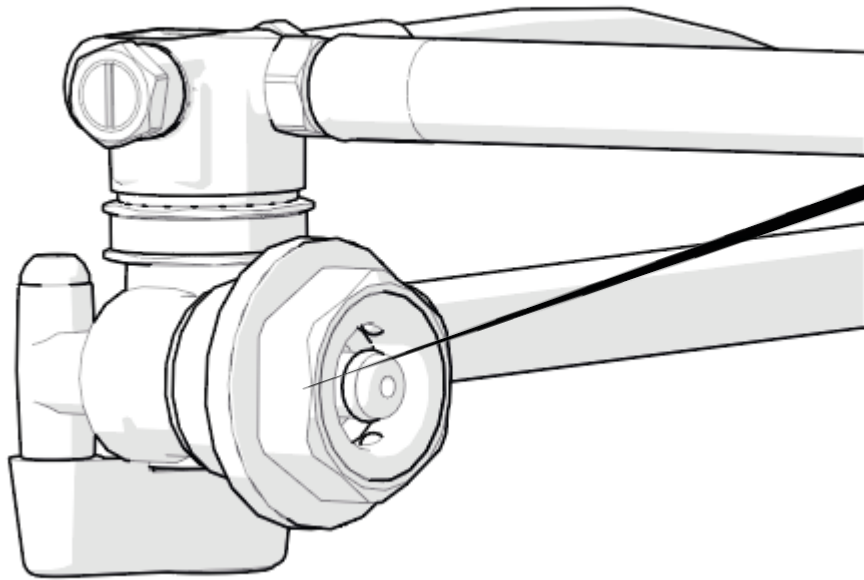
1705052

Plug-in regulator

[YYWWXXX]

**Serial number**

# Firefighting – Cylinder quick coupling



**Cylinder quick coupling**

P05

[PYY]

0517052

[YYWWXXX]

**Serial number**

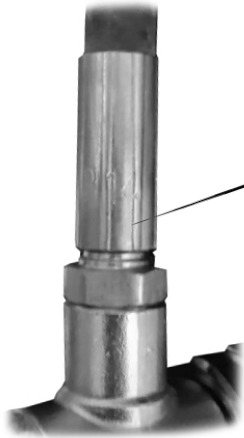
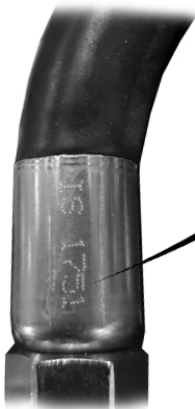
# Firefighting – Hoses

05/17  
[YY/WW]

0517  
[YYWW]



1505/17  
[IS YY/WW]

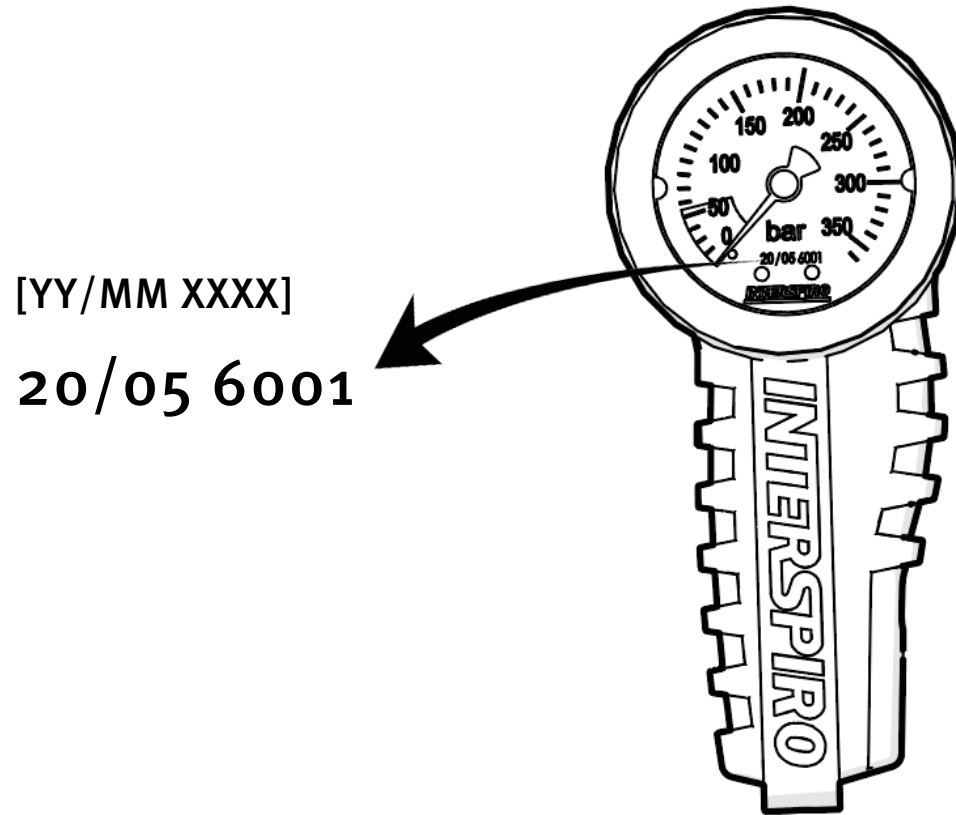


P05  
[PYY]

**Medium pressure hoses**

**High pressure hose**

# Firefighting – Pressure gauge



**Pressure gauge**